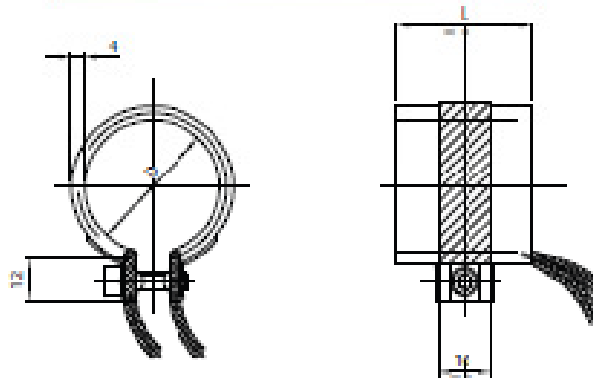




Mold Technology Ltd
Po Box 34-785
Birkenhead
Auckland
0746

Moldtech Z15 Nozzle Heater Bands

Z15 Steel Band heaters are designed for use where space around the nozzle is a limiting factor. They are suitable for use in corrosive environments where plastics such as PVC, PEEK, ABS, PTFE and Flame retardants are used.



Features:

Working Temperature 350 / 370 °C
Max Diameter 110mm
Lead Length 2000mm
Standard Operating Voltage 230V
Thermocouple options available

- Specific Wattage up to 7W/cm²
- Max Width 200mm
- Lead Exit Axial 45° Standard
- Other Voltages on request

Construction:

High Thermal Conductivity Steel
Continuous Mica Insulation
Alternate lead exit options available

- Ni-Cr 80/20 wire
- Flexible connection lead with SS braid
- Fiberglass insulated Ni Conductors